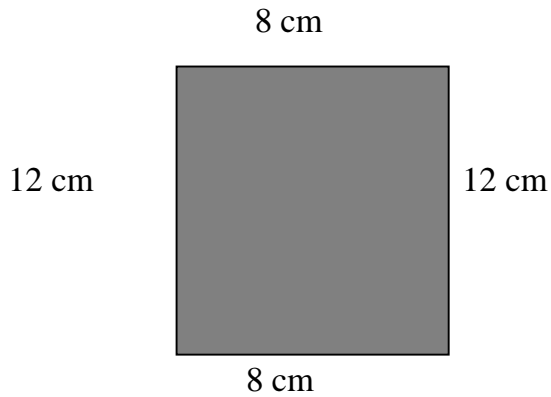


Perimeter of Regular Shapes 1

The **perimeter** is the distance around the outside of a shape. We can calculate it by accurately measuring the sides of the shape and adding them together.

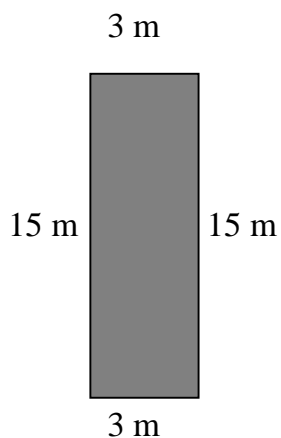
Example:



So the perimeter would be $8\text{cm} + 12\text{cm} + 8\text{cm} + 12\text{cm} = 40\text{cm}$.

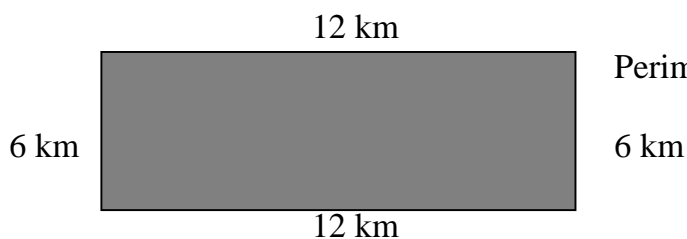
Now try these...

1.



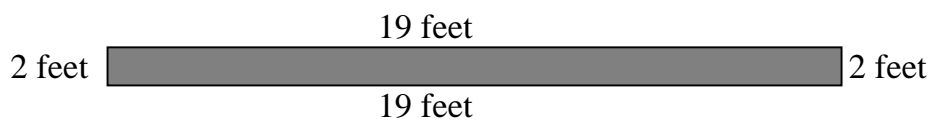
Perimeter = _____

2.



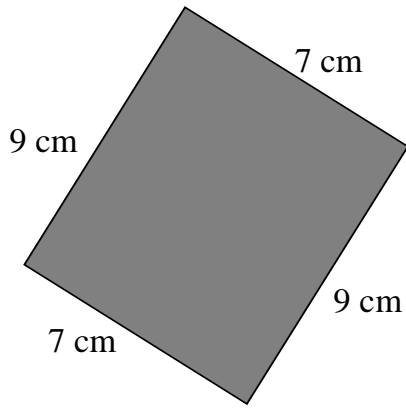
Perimeter = _____

3.



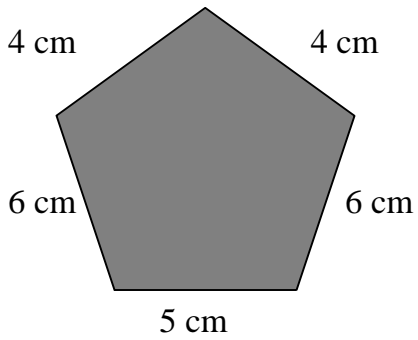
Perimeter = _____

4.



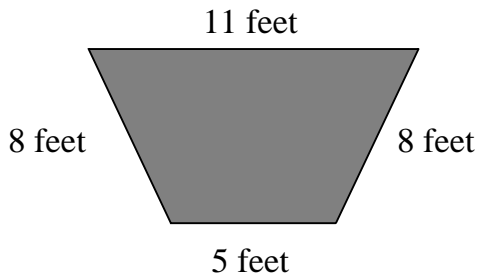
Perimeter = _____

5.



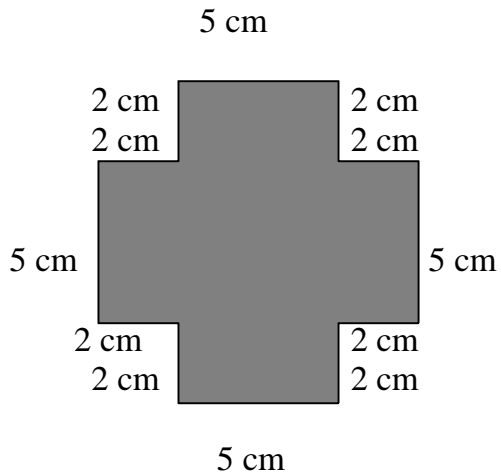
Perimeter = _____

6.



Perimeter = _____

7.



Perimeter = _____

Answers

1. $3 + 15 + 3 + 15 = 36 \text{ m}$
2. $12 + 6 + 12 + 6 = 36 \text{ km}$
3. $19 + 2 + 19 + 2 = 42 \text{ feet}$
4. $7 + 9 + 7 + 9 = 32 \text{ cm}$
5. $4 + 4 + 6 + 6 + 5 = 25 \text{ cm}$
6. $11 + 8 + 5 + 8 = 32 \text{ feet}$
7. $5 + 2 + 2 + 5 + 2 + 2 + 5 + 2 + 2 + 5 + 2 + 2 = 36 \text{ cm}$